

EVOLUTION[®] 100 TECHNOLOGY

Featuring two-stage grinding combined with SoundSeal™ Plus technology, the Evolution 100 is more powerful and quieter than our standard range. It virtually grinds any food waste, including difficult items such as bones and potato peel.

FEATURES



SoundSeal Plus™
Evolution Quieter
Technology



0.75HP Dura-Drive™
Heavy Duty
Induction Motor



MultiGrind Plus™
2 Stage Stainless
Grinding System with
Auto Reverse Action



QuickLock™
Sink Mount for
easy installation



Large Capacity
(1005ml) Stainless
Steel Grinding Chamber



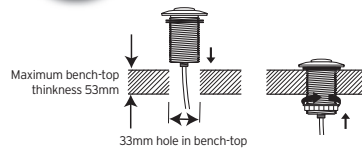
5 Year Warranty



Built-in Air Switch
(33mm hole for button)



Made in the USA

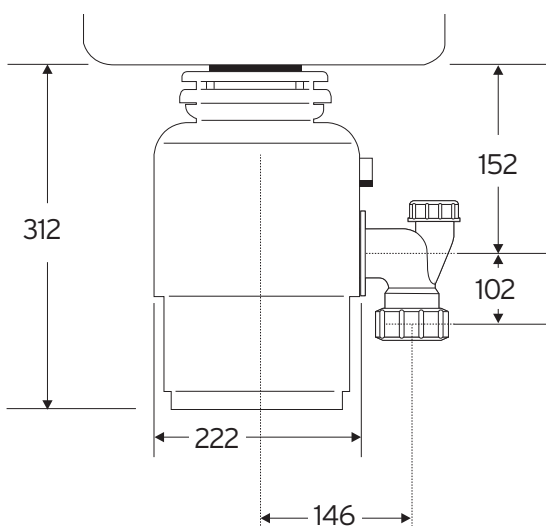


SPECIFICATIONS

Type of Feed On/Off	Continuous Control Wall Switch or Built-In Air Switch	Sound Technology	Anti-Vibration Mounting Technology and Tailpipe Quiet Sink Baffle Multi-Layer Sound Insulation
Power Supply Reversing	Single Phase Auto-Reverse Grind System	Plug	Stainless Steel Strainer Basket and Plug
Time Rating Lubrication	Intermittent Permanently Lubricated Upper & Lower Bearings	Grind Chamber Capacity	1005 ml
Shipping Weight Unit Finish	8.8 kg (Approx.) Black Enamel Grey TEN-1706	Motor Protection	Manual Reset Overload
Overall Height Grind Technology	312 mm 2-Stage Grind Technology	Average Water Usage	Approximately 4.0 L per Person per Day
		Average Electrical Usage	3-4 KWH per Annum
		Drain Connection	1-1/2" (3.81 cm) Anti-Vibration (Hose Clamp)
		Dishwasher Connection	Yes

Volts/Hz	HP	RPM
220-240V, 50 Hz	.75	1425

DIMENSIONS (MM)



insinkerator.co.nz

For more information contact Parex Industries Limited
on Tel: 0800 200 510 or email: info.parex@emerson.com

InSinkErator reserves the right to change product specifications without prior notice.
The disposer described in this leaflet is for household use; usage in commercial situations is not covered by warranty.

in sink erator[®]